

# RV Window

*Installation Manual*



  
HORREX



# Table of content

	Package contents	4
1	Symbols	5
2	Options	5
3	Safety instructions	6
4	Use	7
5	Installation	8
5.1	<i>Instructions before installing</i>	8
5.2	<i>Cutting a hole for the window</i>	8
5.3	<i>Placing the window</i>	9
5.4	<i>Use</i>	9
6	Warranty	21
7	Recycling	21
8	Technical data	22



# Package contents



SCREW

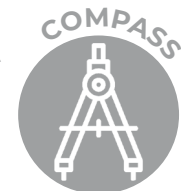
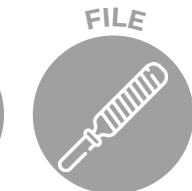
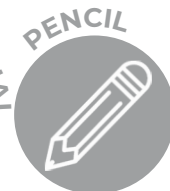
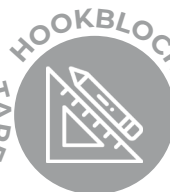


CLAMPS



## Note!

The corresponding clamps and screws should be ordered separately in accordance with the wall thickness and the required necessary in accordance with the window dimensions. Refer to chapter 2 for more information.



# 1

## Symbols



### **Caution!**

*Not following or incorrectly following these instructions can lead to serious injuries.*



### **Note!**

*Not following or incorrectly following these instructions can lead to damage or reduced functionality of the product.*



### **Info**

*Additional information about the product.*



## 2

## Options

<b>Dimensions - straight windows</b>	<b>Clamps quantity</b>
350x500	10
600x500	12
700x350	12
700x450	12
900x450	12
900x500	14
900x550	14
1000x500	16
1000x550	16
1200x300	18
1300x550	16
1450x550	18
1450x550	20
1450x600	20
<b>Dimensions - curved windows</b>	<b>Clamps quantity</b>
280x380	12
490x500	14
560x465	12
700x510	16
750x465	14
818x315	12
960x450	14
985x465	16

## Clamp sizes - wall thickness

22-23

24-25

26-27

28-29

30-31

32-33

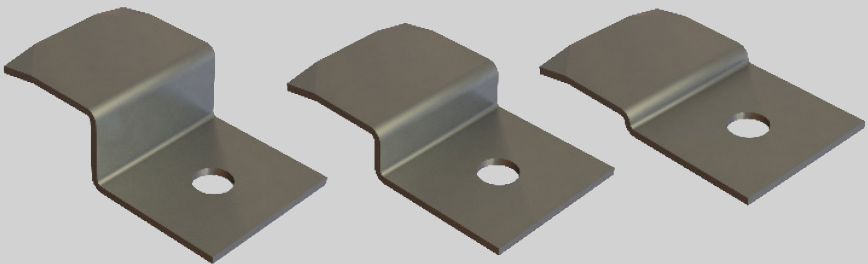
34-35

36-37

38-39

40-41

42-43



# 3

## Safety instructions

**Please follow the prescribed safety instructions from the vehicle manufacturer at all times.**

Horrex is not responsible for damage caused by the following situations:

- Incorrect assembly or connection of the product;
- Damage to the product due to mechanical influences;
- Modifications to the product without the permission of the producer;
- Use for purposes other than described in the manual.



### Info

*If you do not have enough technical knowledge for the installation, then have the product by a specialist.*

Note the following:

- Whenever mistakes or malfunctions appear, contact a specialized maintenance company as soon as possible.
- Always check if the window is closed before driving the vehicle.
- Check the window for any damages (like stress cracks in the acrylic glass) before driving.
- Do not open the window during (heavy) rains or snow
- Close the window when it rains or snows
- Do not leave the window open when the vehicle is unattended



# 4

## Use

This product can only be used in vehicles with a wall thickness from 22 to 43 mm. The installer should provide filling material themselves if the wall thickness of the vehicle is thinner than 22 mm.

Use only in combination with the supplied parts or spare parts from Horrex. Can be found in chapter 2 of this manual, unless stated otherwise.

It is not permitted to use the product for purposes other than the usage situation shown below.



# 5

## Installation

### 5.1 Check before installing

Before installation, check the wall thickness of your vehicle. Please contact the vehicle manufacturer when you have questions about this. The window cannot be installed in vehicles with a wall thickness of more than 43 mm. In walls with a thickness of less than 22, using filling material is necessary.

When choosing the location for the window, please pay attention to the following:

- Adjacent components (mounting – and reinforcement parts), cables and cabinets should not be damaged when cutting the hole for the product.
- There must be enough space, both on the interior and exterior of the vehicle, around the hole for the edges of the window and the mounting thereof.
- The window should lay flat on the surface it will be installed on. So please note any possible warps in the wall.
- Make sure that, in the sliding windows, the movable part is fixed towards the front of the window.

### 5.2 Making a hole for the window (pag. 13 (A) until pag. 17 (I))

- A: Measure and check the size of the window. Do not use the exterior part of the window for this, but the part with the depression.
- B: Draw a horizontal line with help of a spirit level. Draw this line on the same height as you want place the window.
- C: Put tape on the wall, adjacent to this line.
- D: Draw a vertical line down with help of a spirit line or hook block. Mark the previously measured size on the wall in this manner.

- E: Put tape along all drawn lines. Afterwards, check the placement of the window and if it is in the right place.
- F: Use a compass to draw a radius of 80 mm in the corner of the marked plane.
- G: Repeat this for all corners.
- H: Use a saw (for example a jigsaw or multi-tool) to cut out the marked hole.



### **Caution!**

*While cutting the hole for the window in the wall, make sure that there are no power cables or pipes in the area where you want to cut. Always turn off the power in the vehicle while cutting.*

- I: In case of a hollow wall, place reinforcements in the wall through wooden beams. Make sure that the wall does not warp or deforms because of this.
- J: Gebruik een schaaf of veil om de randen van het raamgat gelijk te maken. Controleer hierna of het raam in het gat past en schaaf indien nodig het gat bij.

## **5.2 Placing the window (pag. 17 (K) until pag. 18 (M))**

- K: Apply water resistant mounting kit to the outside of the window. Make sure that the kit is applied evenly in a solid line.
- L: Press the window in the sawed out hole, until the edge presses against the wall. Remove excess kit with a damp towel.



### **Note!**

*You will need a second person to assist you during the next step.*



M: Use the clamps and screws ordered to fasten the window as displayed below. Make sure that the curved corners of the brackets can lock into the wall and that the screws fall into the outer groove of the profile.

### **5.3 Use (pag. 19 (N) until pag. 20 (R))**

N: When using the product for the first time, remove the film on the inside and the outside of the window.

O: Turn the handles a quarter turn in the direction shown.

P: Push open the window into the desired position. The window will stay in this position on its own. Whenever you want to close the window, push the window fully open and then lower it.

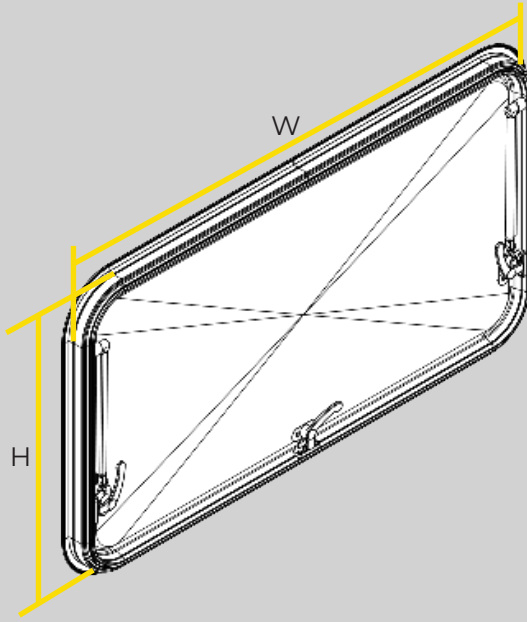
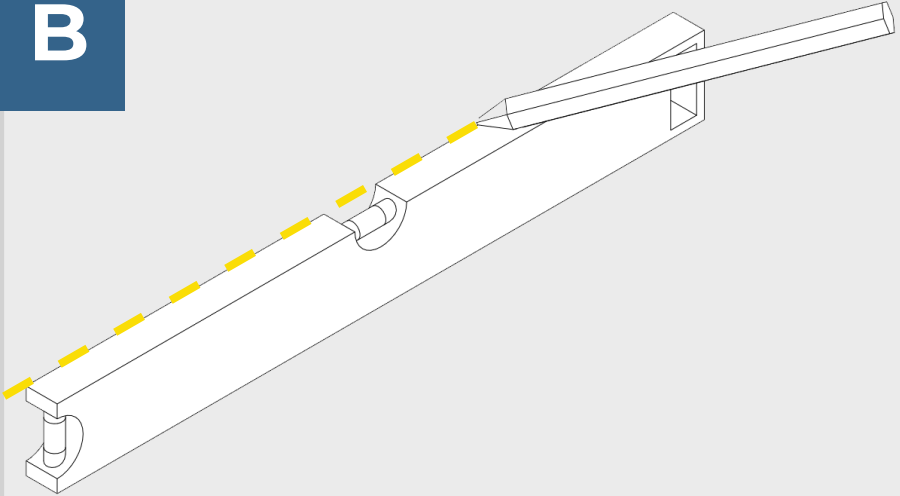
Q: To fasten the window again, turn back the handles a quarter turn in the direction shown.

R: It is possible to leave the window ajar. To do this, close the windows normally, but place the handles behind the locking block.

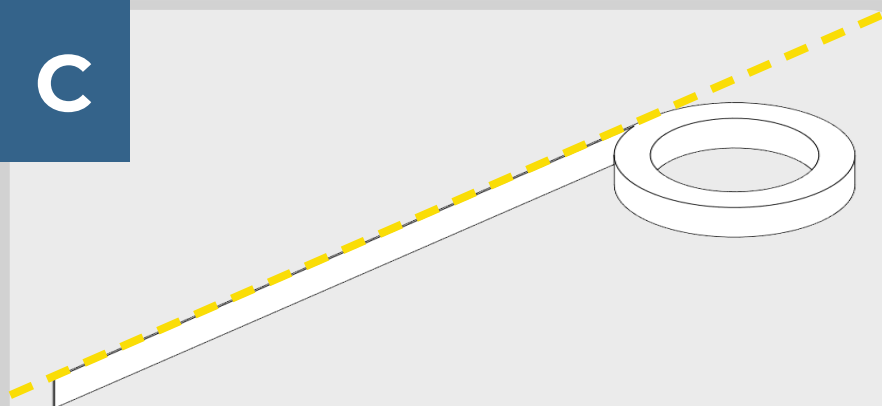


#### **Note!**

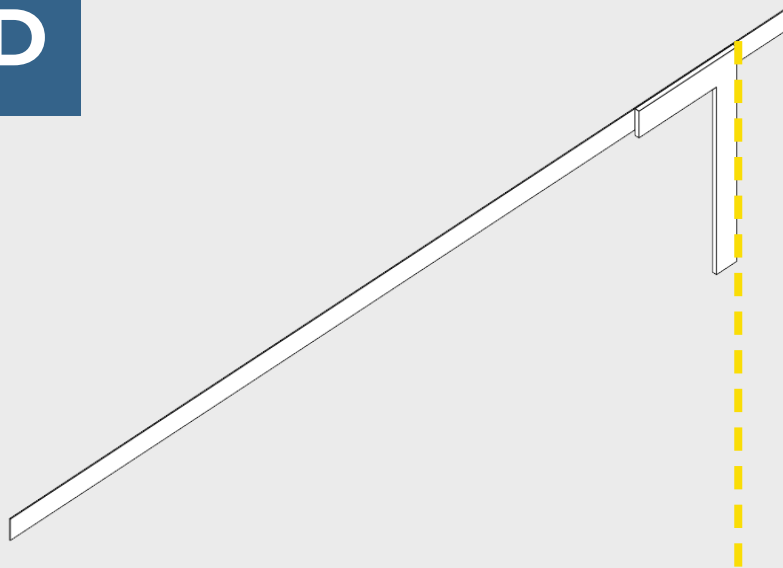
*Always close the windows completely before driving.*

**A****B**

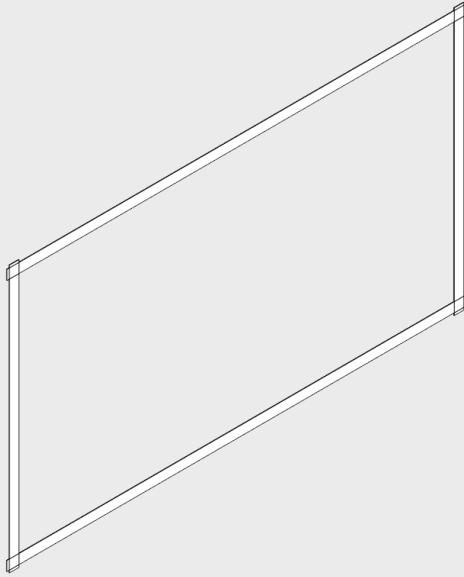
C



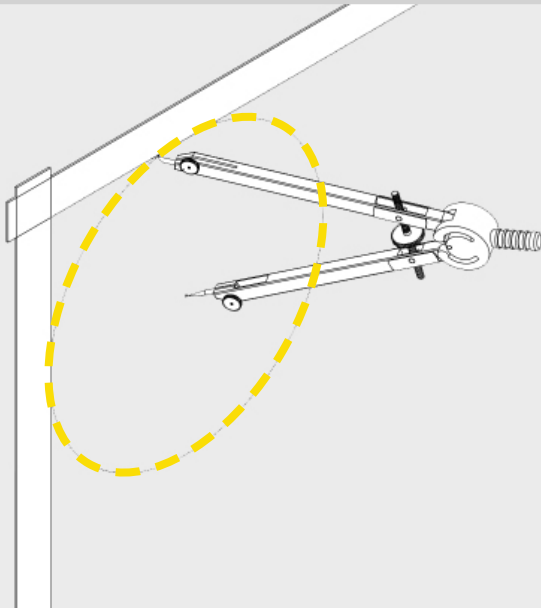
D



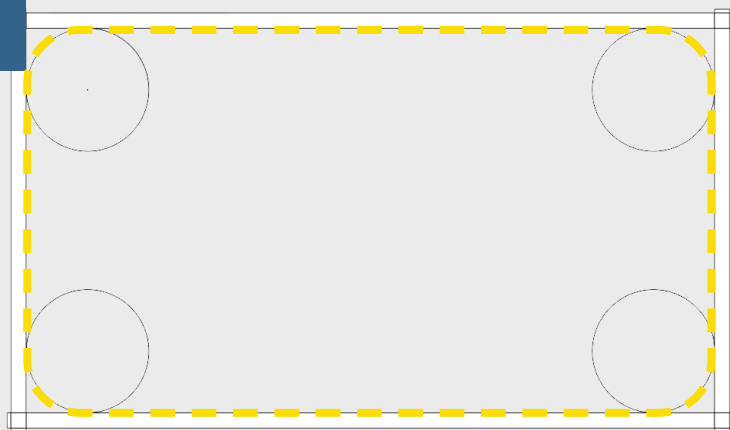
E



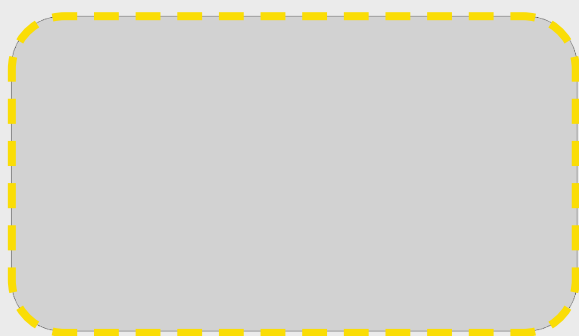
F



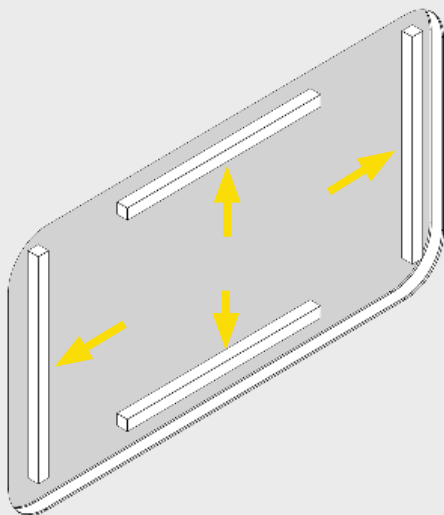
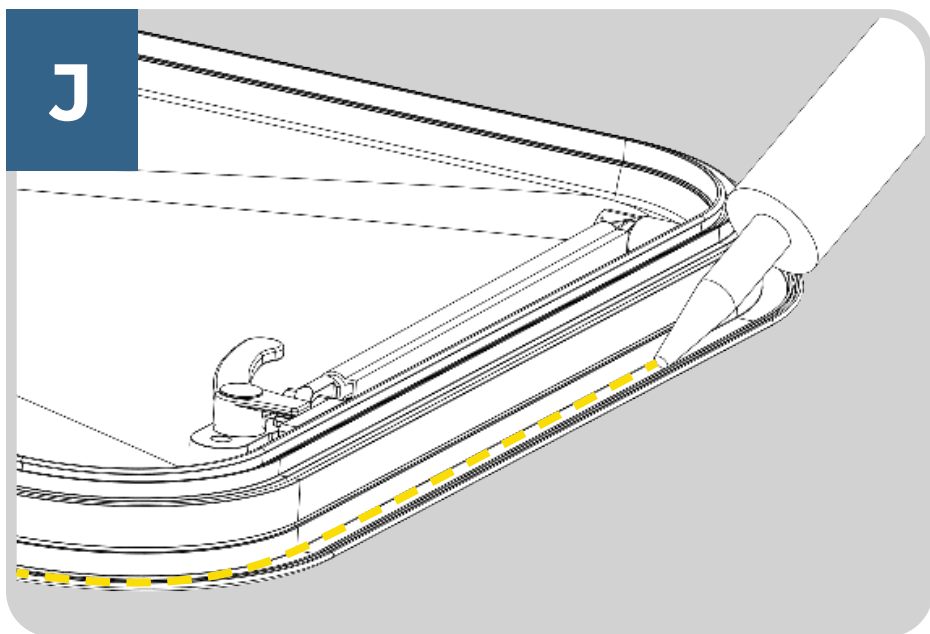
G

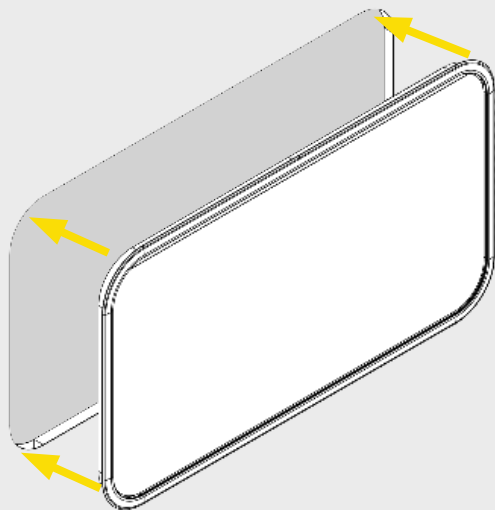
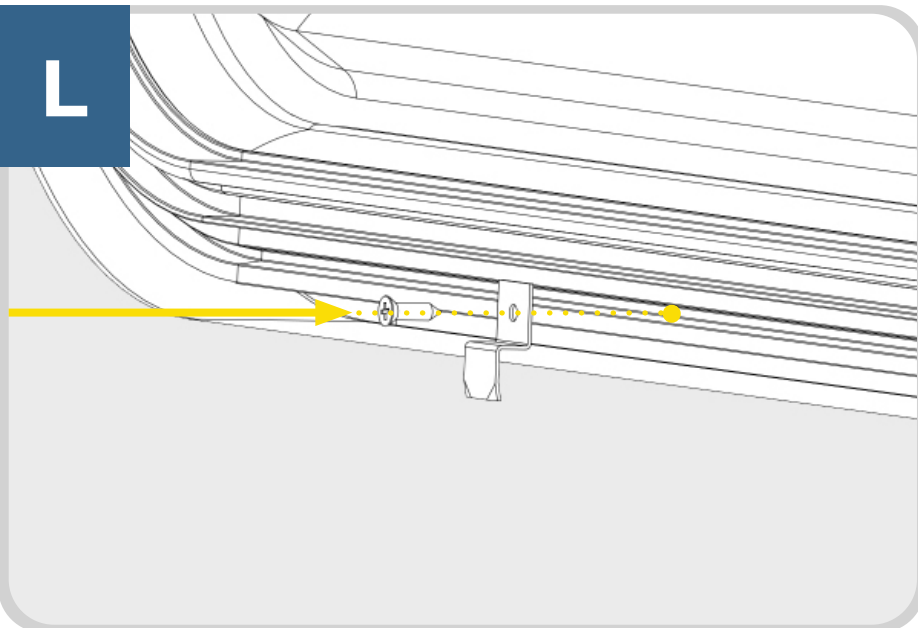


H

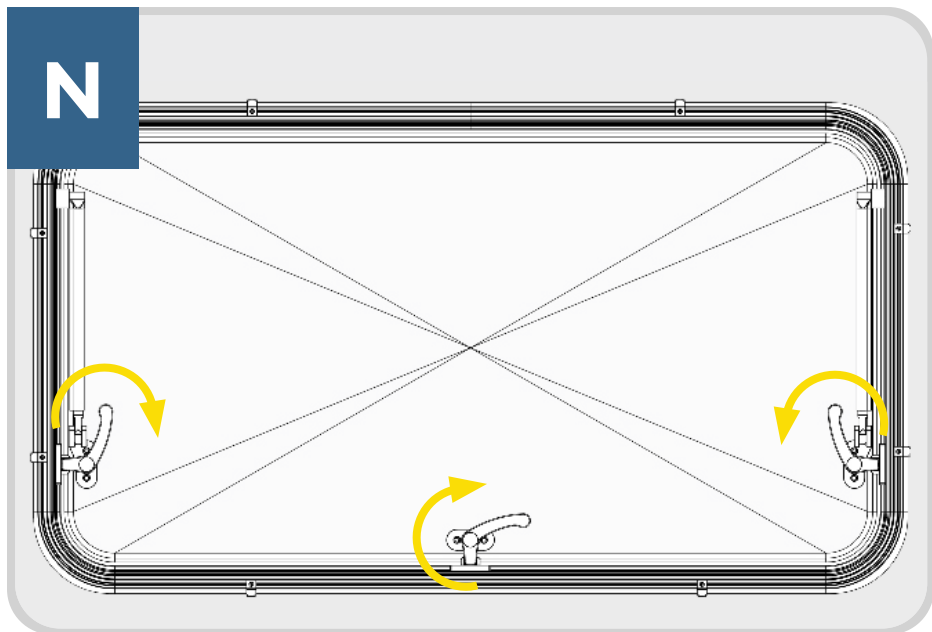




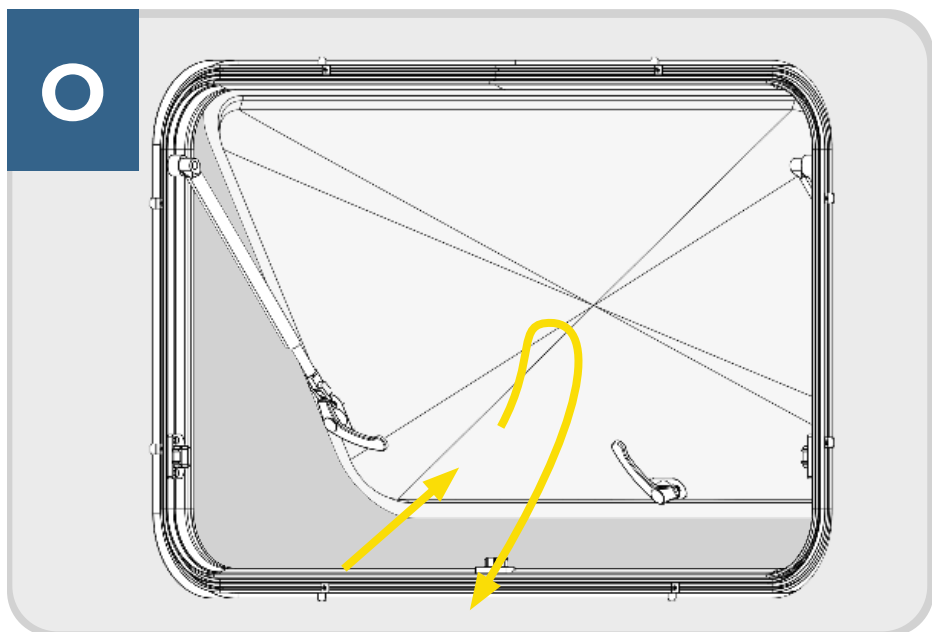
**I****J**

**K****L**

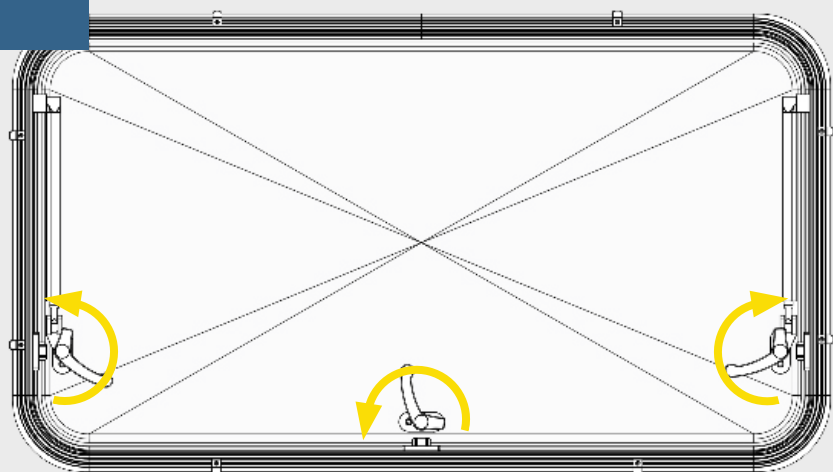
N



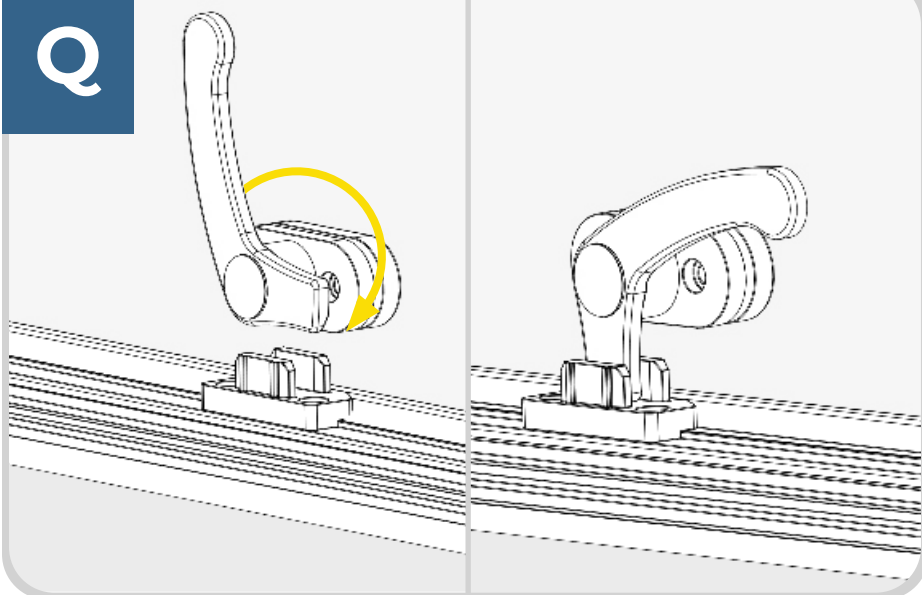
O



P



Q



# 6

## Warranty

A standard 2-year warranty applies to this product. If the product is defective, first contact your dealer or point of sale.

Distributors of original Horrex products and accessories can be found on our website:

<https://www.horrex.nl/consumers>

If you cannot find a solution, or if you have other questions, comments or suggestions, please send a message to: [info@horrex.nl](mailto:info@horrex.nl)

# 7

## Recycling

If possible, carefully separate the packaging material from this product and discard it in the appropriate bins for recycling.

If you want to dispose of the product itself, ask an employee at your local waste disposal station how to do this in accordance with applicable regulations.

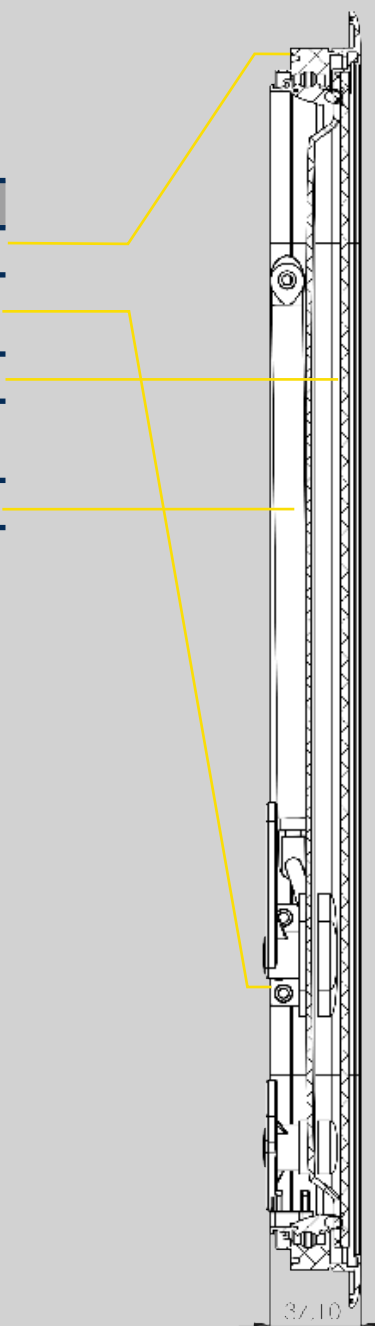
Please do not dispose of the product with household, garden and kitchen waste.



# 8

## Technical data

Component	Material
Frame	Aluminum
Plastic components	PA / PA6.6
Glass	Acrylics
Fastening material	RVS
Extension arms	Aluminum







[www.drivingchangeint.com](http://www.drivingchangeint.com)

**Horrex BV**

Taanderijstraat 19  
3133 ET Vlaardingen

TEL +31(0)10 26 19 600

Horrex.nl  
info@horrex.nl